

# SAIMATEC

**ENGINEERING**

## BULK MATERIAL HANDLING



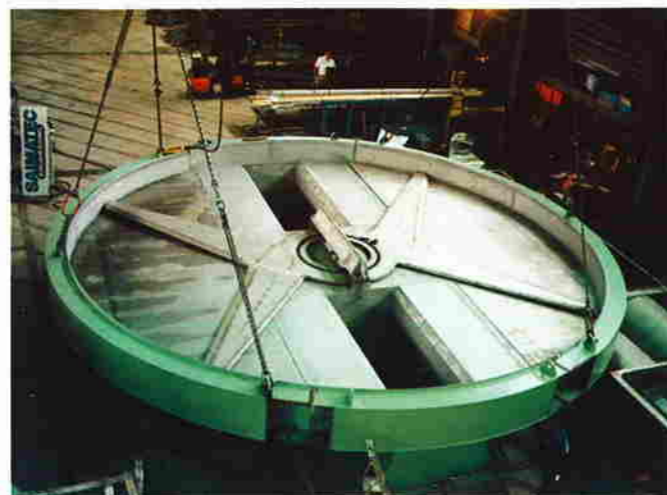
# SAIMATEC HEAVY DUTY BIN DISCHARGER TYPE HELP



## Heavy Duty Bin Discharger

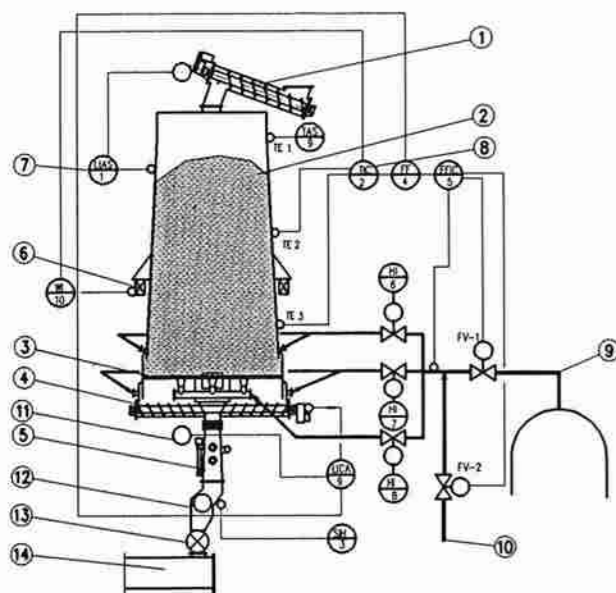
Tightly closed and corrosion proof design. Discharging from the whole bottom area. Especially suitable for:

- Presteaming Bins at Pulp Digesters and TMP/CTMP Plants
- Knot Bins at Pulp Plants
- Storage Silos for chips, sawdust, peat and other bulk material
- also high pressure processes



## Feeder Bin 500 qm for Cooking Plant

- Help Discharger D 8000 mm
- Discharging Screws D 1000 mm 2 items
- Feeding Capacity 2x1000 qmph



## PRESTEAMING BIN

1. Screw conveyor
2. Bin
3. Saimatec Help Discharger
4. Discharging Screw
5. Spout
6. Continuous Load Control
7. Level Control
8. Temperature Control
9. Flash steam
10. Fresh steam
11. Continuous Level Control
12. Chip Meter
13. Low pressure Feeder
14. Steaming Vessel

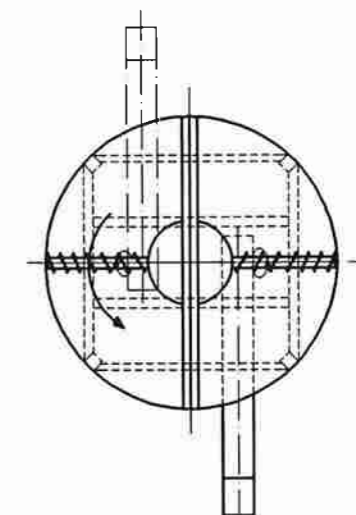
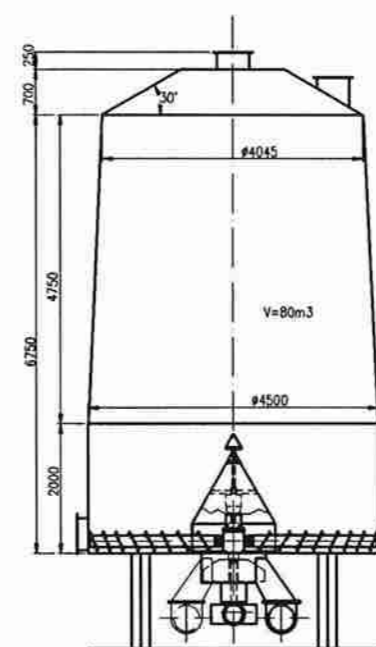
# SAIMATEC SCREW DISCHARGER

- Discharging from the whole bottom area with first in – first out plug flow operation
- The screw rotation and turning round takes place by patent pending frequency controlled drive unit
- One motor, low power consumption
- Output from 1 or 2 points in the center of the bin
- Freely chooseable layout of the follow-up conveyors
- Suitable for storing and handling of bark, chips, sawdust, sludge, peat or other similar "arching" bulk materials

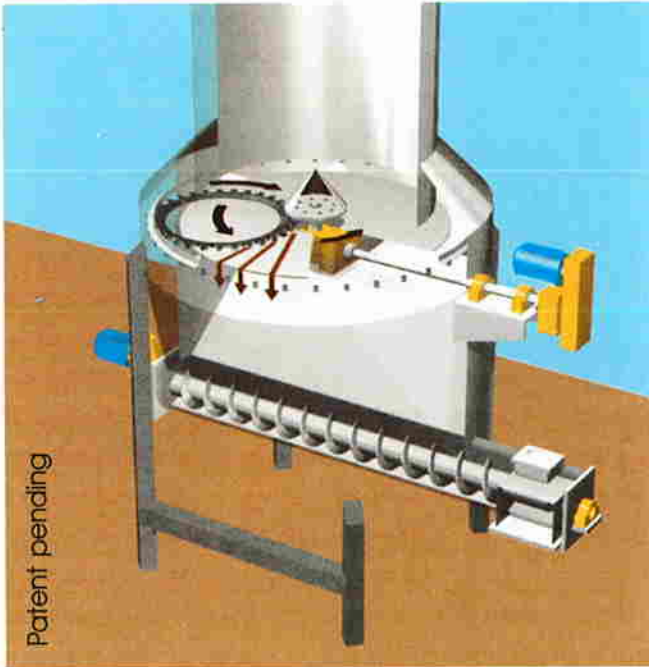


## Example: BIN 80 qm

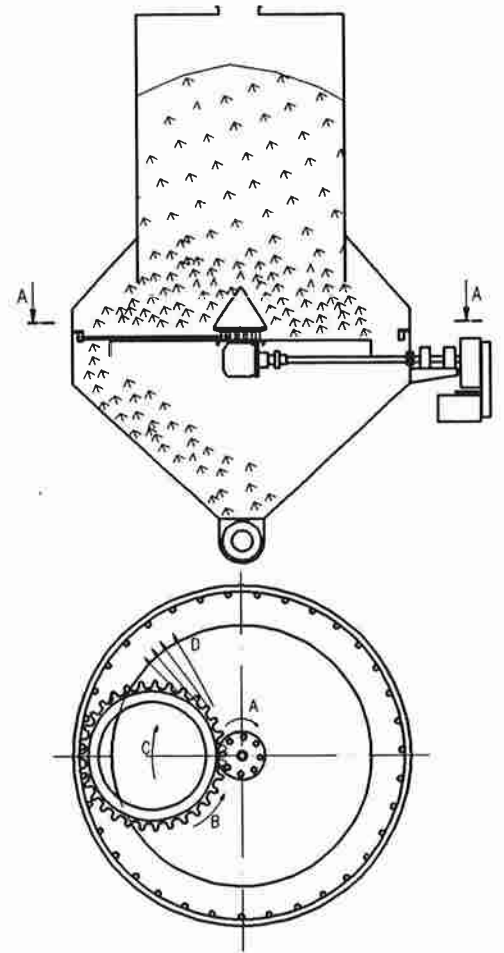
- Discharger D 4500 mm with Screws 2x400 mm
- Capacity 200 qmph chips alternatively divided into two outfeeding flows
- Drive Motor 11 kw



# SAIMATEC PLANET DISCHARGER



- Discharging evenly from the whole bottom area with first in – first out plug flow operation
- "Loose" discharging of the material out of the circumference of the bin which means the sure handling of especially "sticking" materials
- One drive motor – low power consumption
- Adjustment of the capacity by means of only one frequency controlled drive unit



A=Rotating of the primary pulley  
 B=Rotating of the planet ring  
 C=Entering of the planet ring  
 D=Discharging flow of the bulk material



# SAIMATEC

## ENGINEERING

Teknola, FIN-57230 SAVONLINNA, Finland  
 Tel. Int. +358-57-57961, Fax Int. +358-57-57967

Please, note new numbers:  
 Phone: +358 15 5781 0  
 Fax: +358 15 5781 130